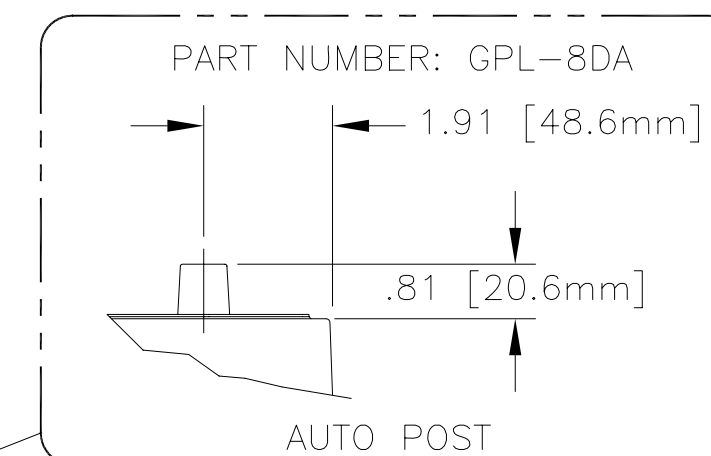
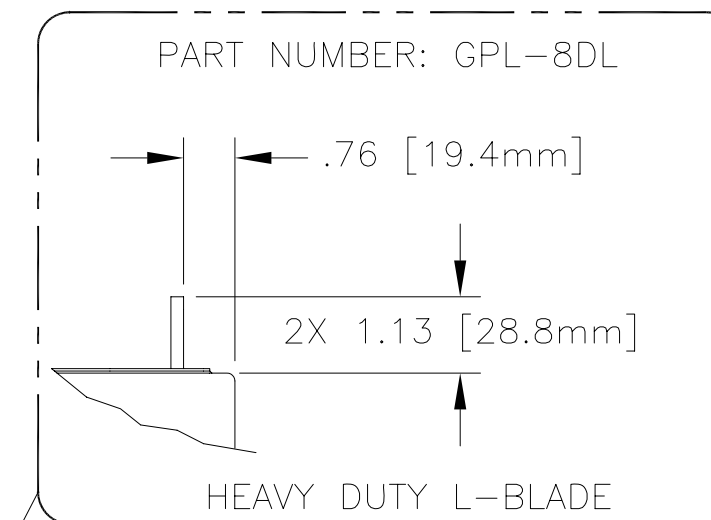
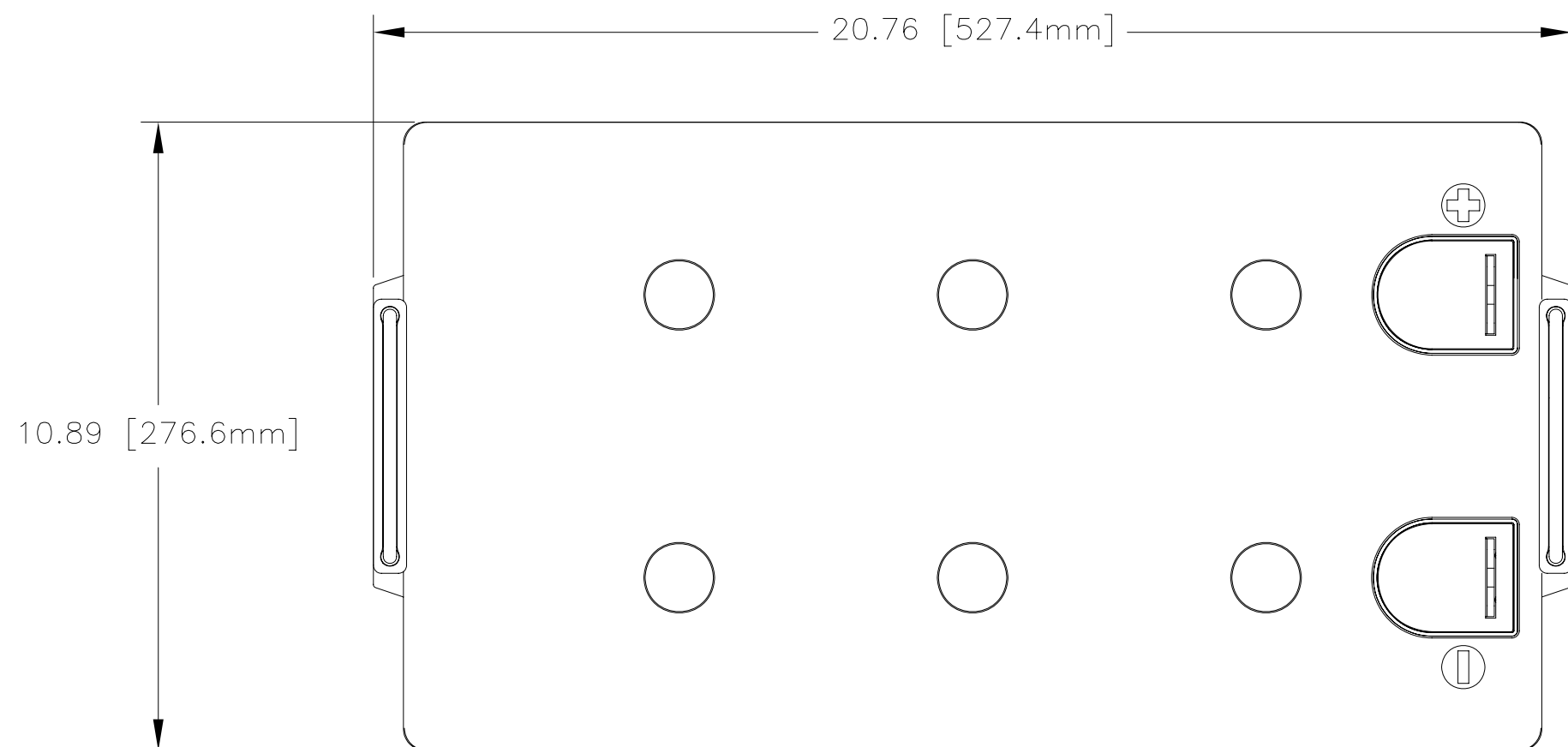


NOTES: UNLESS OTHERWISE SPECIFIED

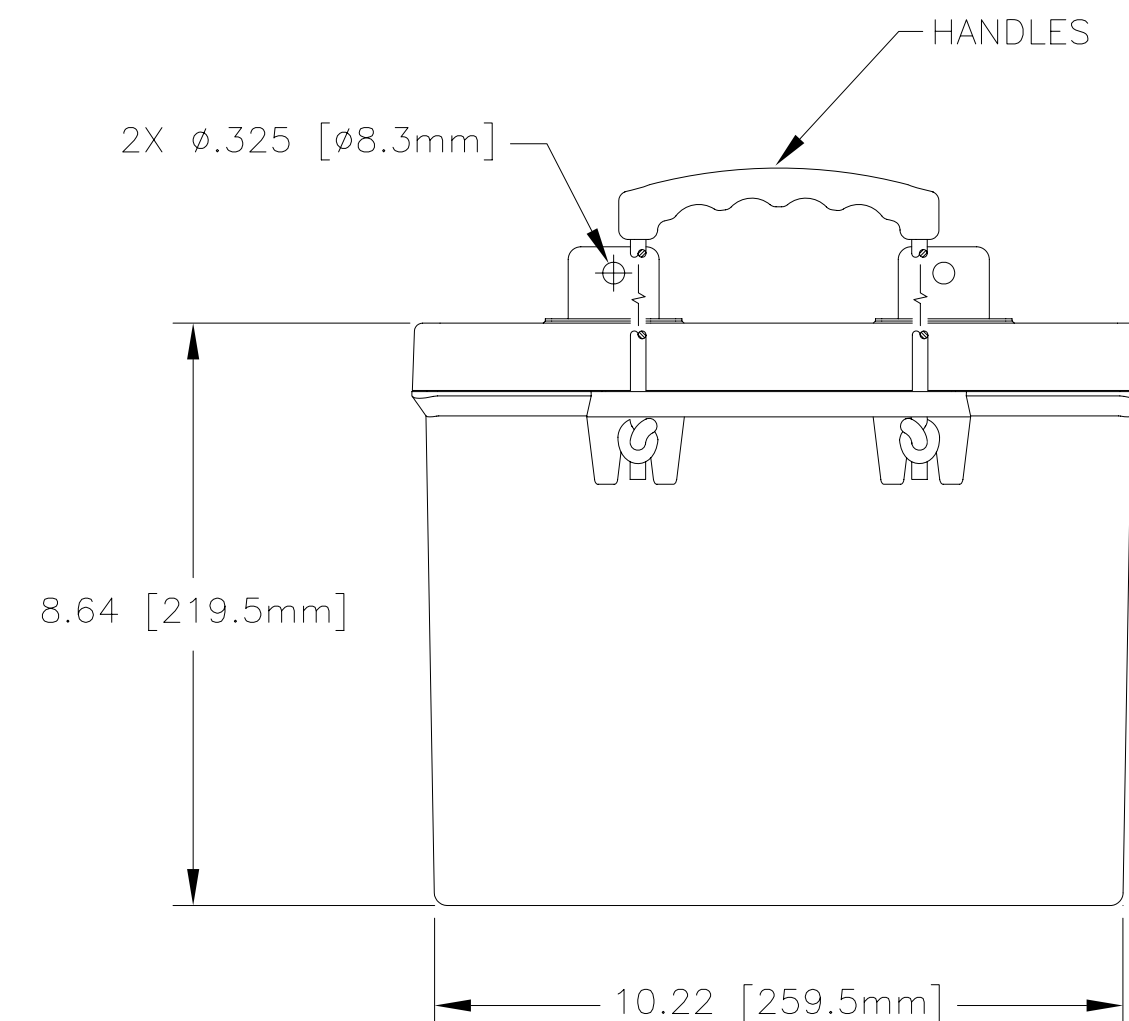
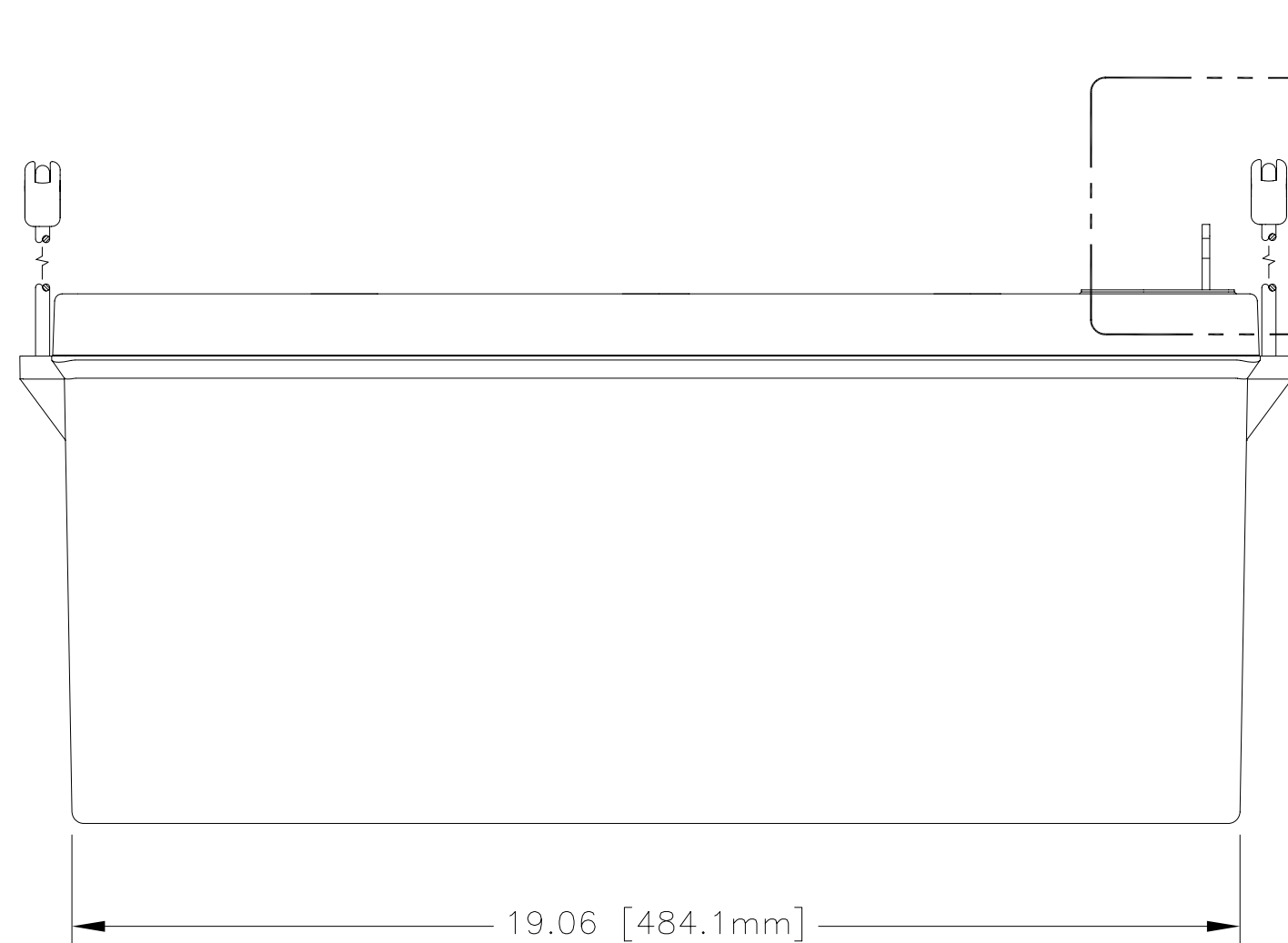
1. SEE DRAWING NO. CB-00295 AND PROCEDURE P-1000 FOR ASSEMBLY AND TEST INSTRUCTION. PROCEDURES AND ASSEMBLY DRAWINGS ARE FOR INTERNAL USE ONLY.
2. ALL TESTING IS PERFORMED IAW BATTERY COUNCIL INTERNATIONAL STANDARDS.
3. ALL DIMENSIONS ARE INCH [MM].

REVISIONS			
REV	DESCRIPTION	DATE	APPROVED
K	SEE DCN GPL8DK	8/10/11	JBT

GPL-8D TERMINAL OPTIONS



NOTE: SEE OPTIONS LISTED



ENVELOPE DRAWING

CAPACITY RATINGS	
PART NUMBER	GPL-8D
NOMINAL WEIGHT	156 LBS[70.8 KG]
AMPERE HOUR CAPACITY @ 20 HOUR 1.75 VOLTS/CELL @ 77°F (25° C)	255 AH
MINUTES OF DISCHARGE @ 25 AMPS 1.75 VOLTS/CELL @ 77°F (25° C)	550 MIN

QTY REQD	CAGE CODE	PART OR IDENTIFYING NO.	NOMENCLATURE OR DESCRIPTION	MATERIAL SPECIFICATION	ITEM NO.
PARTS LIST					
UNLESS OTHERWISE SPECIFIED DIMENSIONS ARE IN INCHES TOLERANCES ARE: FRACTIONS DECIMALS ANGLES $\pm 1/32$.XX $\pm .06$ $\pm 1^\circ$.XXX $\pm .030$			CONCORDE BATTERY CORPORATION 2009 SAN BERNARDINO RD, W. COVINA, CA 91790		
TREATMENT NONE		APPROVALS	DATE	TITLE BATTERY, 12 VOLT, GPL-8D	
FINISH NONE		DRAWN TORRES J.	5/5/94	SIZE C	CAGE CODE 63017
SIMILAR TO		CHECKED JR	5/9/94	DWG NO. GPL-8D	REV K
ACT WT	CALC WT	APPROVED DG	5/9/94	SCALE NONE	SHEET 1 OF 1
		ISSUED JJ	8/12/11		