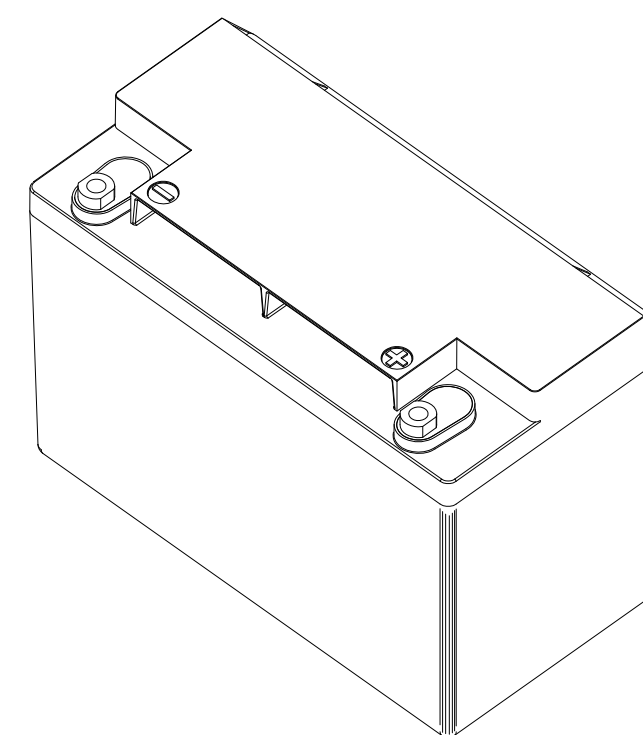
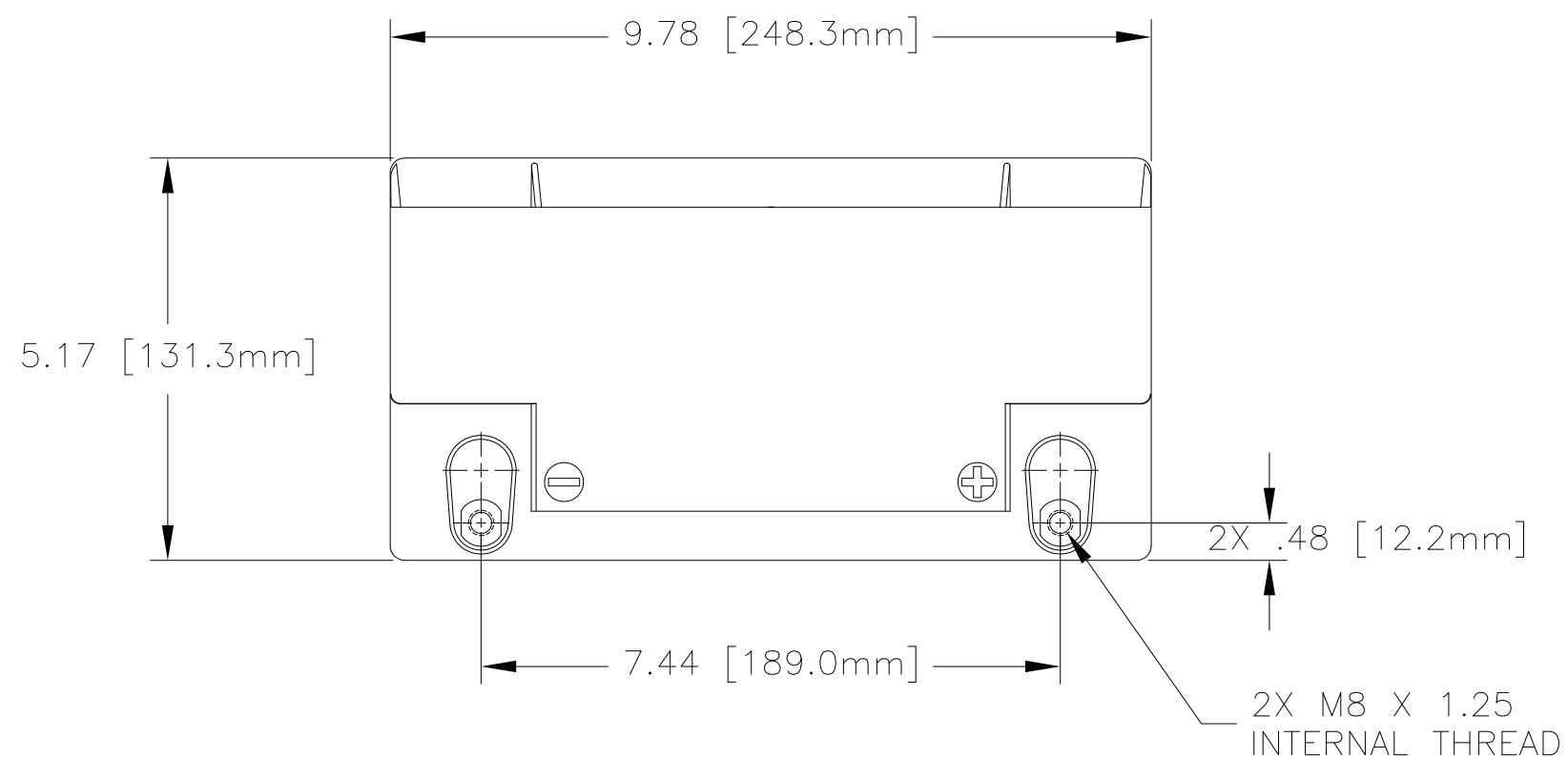


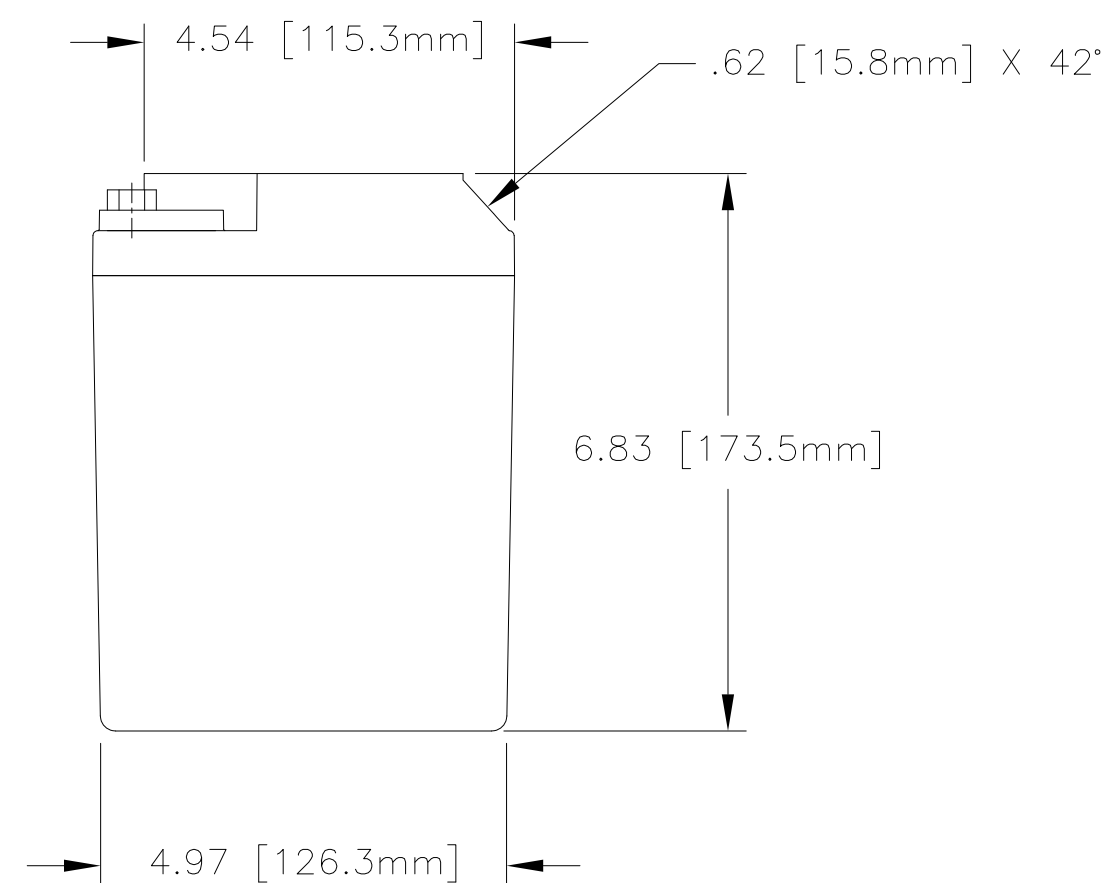
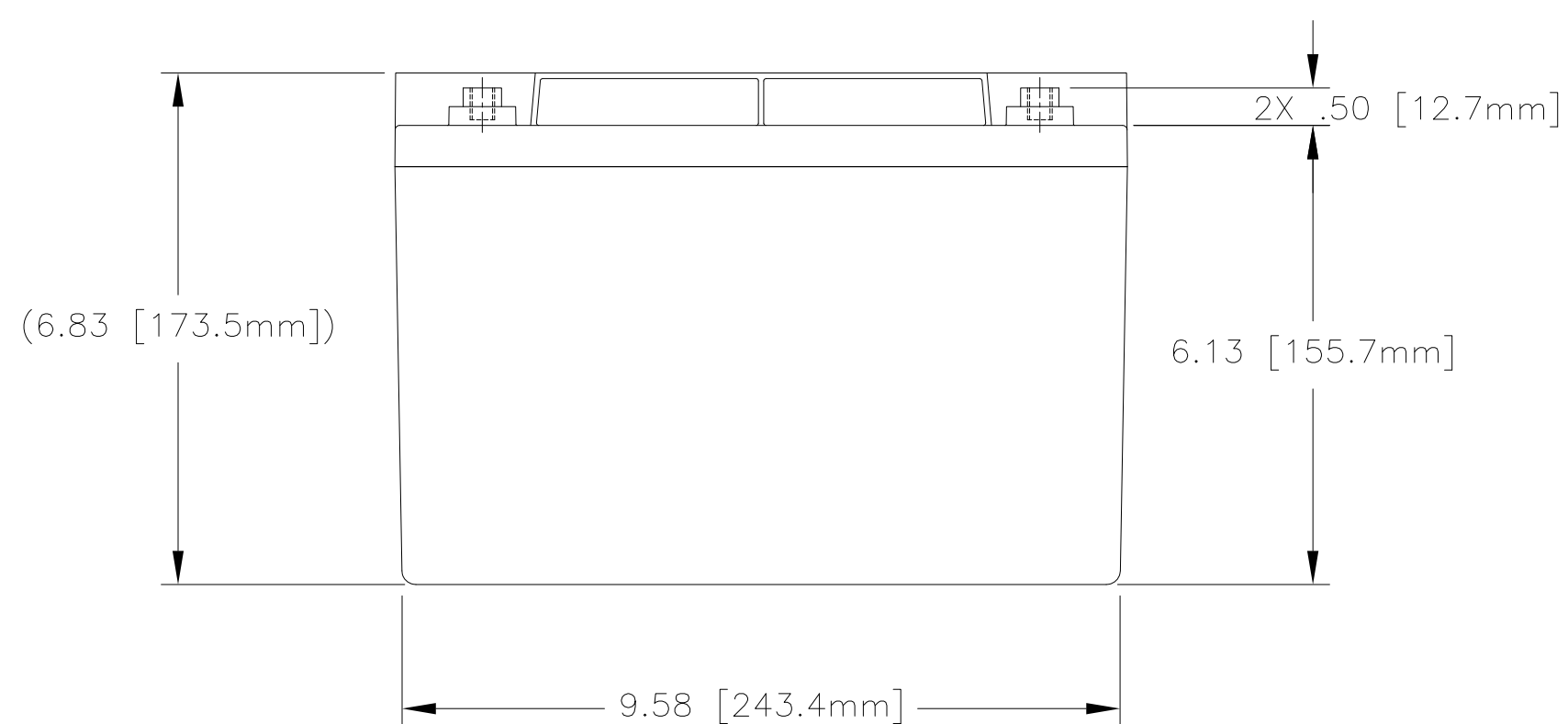
NOTES: UNLESS OTHERWISE SPECIFIED

| REVISIONS | | | |
|-----------|-------------|------|----------|
| REV | DESCRIPTION | DATE | APPROVED |

1. SEE DRAWING NO. CB-00315 AND PROCEDURE P-1000 FOR ASSEMBLY AND TEST INSTRUCTION. PROCEDURES AND ASSEMBLY DRAWINGS ARE FOR INTERNAL USE ONLY.
2. ALL TESTING IS PERFORMED IAW BATTERY COUNCIL INTERNATIONAL STANDARDS.
3. ALL DIMENSIONS ARE INCH [MM].



REFERENCE VIEW



| | |
|---|------------------|
| PART NUMBER | GPL-1400T |
| NOMINAL WEIGHT | 32 LBS [14.5 KG] |
| AMPERE HOUR CAPACITY @ 20 HOUR 1.75 VOLTS/CELL @ 77°F (25°C) | 43 AH |
| CRANKING Amps @ 80° F (HCA) | 785 |
| CRANKING Amps @ 32° F (CA) | 685 |
| CRANKING Amps @ 0° F (CCA) | 560 |
| RESERVE CAPACITY | 90 MIN |

ENVELOPE DRAWING

| QTY REQD | CAGE CODE | PART OR IDENTIFYING NO. | NOMENCLATURE OR DESCRIPTION | MATERIAL SPECIFICATION | ITEM NO. |
|--|-----------|-------------------------|---|--------------------------------|----------|
| PARTS LIST | | | | | |
| UNLESS OTHERWISE SPECIFIED DIMENSIONS ARE IN INCHES TOLERANCES ARE: FRACTIONS DECIMALS ANGLES .XX ± .06 .XXX ± .060 | | | CONCORDE BATTERY CORPORATION 2009 SAN BERNARDINO RD, W. COVINA, CA 91790 | | |
| TREATMENT NONE | | APPROVALS | | TITLE | |
| FINISH NONE | | DATE | | BATTERY, 12 VOLT, GPL-1400T | |
| SIMILAR TO | | ISSUED | | DWG NO. | |
| ACT WT | | CALC WT | | REV | |
| | | JG 12/12/16 | | C 63017 GPL-1400T | |
| | | NS 12/8/16 | | SCALE 1=2.5 | |
| | | AMIII 12/9/16 | | SHEET 1 OF 1 | |
| | | PH 12/12/16 | | | |